



H10FN2

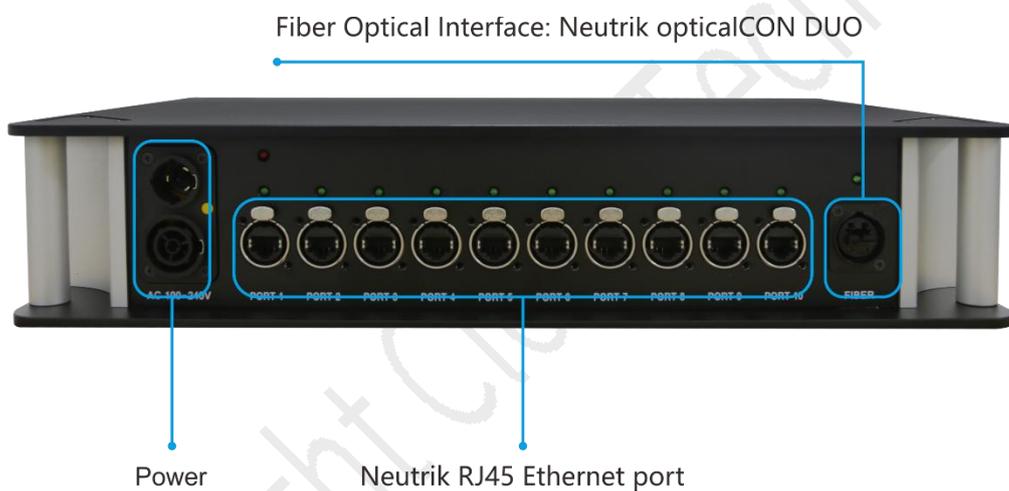
Fiber Optic Transceiver

Specification V1.4

1. Features

- One Neutrik optical CON DUO interface, compatible with LC-LC interface, with transmission speeds up to 10Gb/s
- 10 Neutrik RJ45 Ethernet ports, up to 1Gb/s per channel
- 2km transmission distance
- Hot-pluggable
- Single mode twin-core fiber (TCF)

2. Interface Description



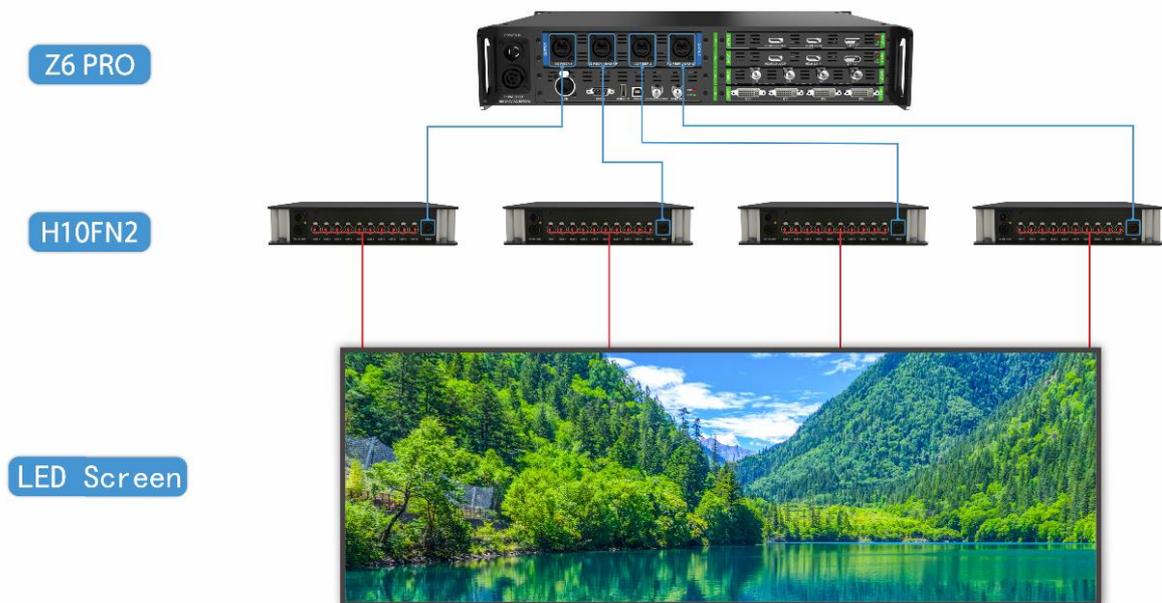
NO.	Interface	Description
1	Power	Neutrik powerCON TRUE1 power supply interface, AC power supply, power supply loop
2	Ethernet Port	Neutrik RJ45 Ethernet port
3	Fiber Optical Interface	Neutrik opticalCON DUO interface, compatible with LC-LC interface

3. Parameters Description

Operating Temperature	0 ~ 70 °C
Power	AC 100~240V, 50/60Hz
Data Rate	10Gb/s
Working Mode	Single-Mode
Transmission Distance	2km

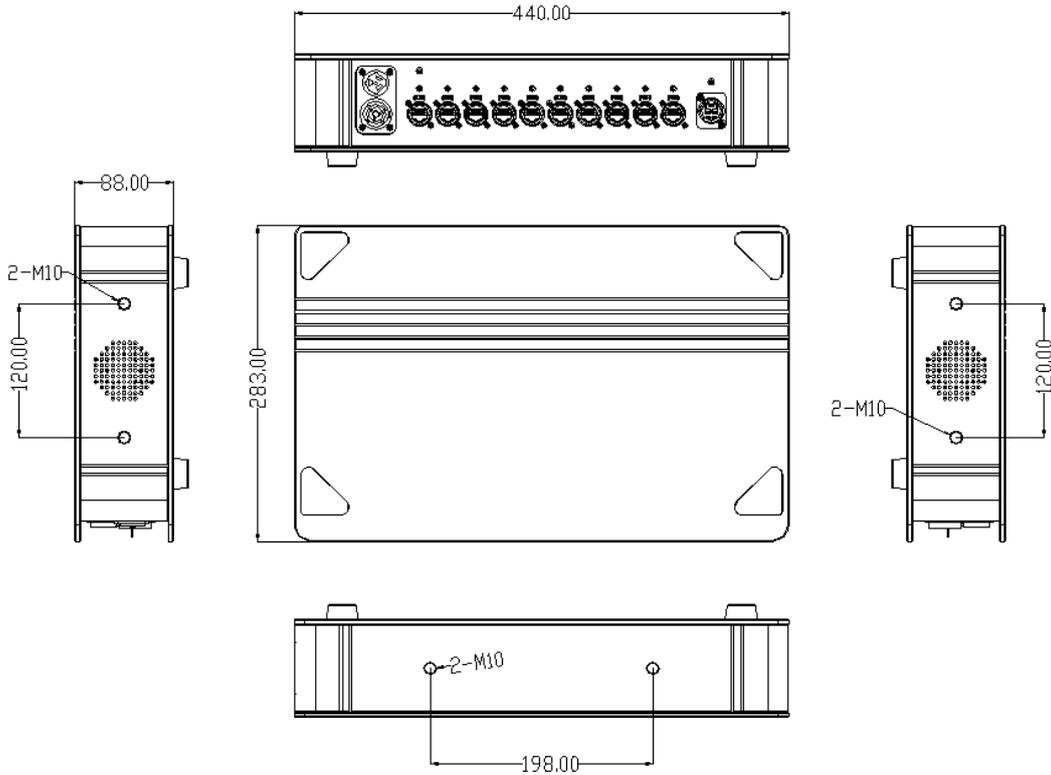
4. Diagrams

Used in conjunction with the Z6 PRO



5. Product Dimension

Unit: mm



Statement

Thank you for purchasing the product of Colorlight Cloud Tech Ltd. If you encounter any problems during use or have any suggestions, please contact us through official channels. We will do our best to provide support and listen to your valuable suggestions. We will constantly make improvements on technical specifications but without notice. You can visit www.colorlightinside.com to get more updated information.